



REFERENCE NUMBER: Recall #31

SUBJECT: 14' & 24' M2 Series walkway Safety Sticker (Type 1 & 2) and Security Strap Replacement (Type 2 only)

EFFECTIVE DATE: October 4th, 2005

APPLICABLE SERIES: 14' and 24' M2 series

APPLICABLE SERIAL NUMBERS: 24M2479M2 TO 24M3860M2 and all 14' motorized unit

The Production Department was recently informed that injuries to a worker had occurred involving the M2 Series' suspended access platform (old Type 1 and recent Type 2). If a person steps on the walkway when it is not fully extended, it may extend very fast and may crush a hand or a foot. There may also have been some instances where the security strap broke due to deterioration resulting from a long-term exposure to UV-rays. The new heavy-duty straps (coloured red or bright green for quick recognition) are UV-resistant and will not be affected. Failure to perform this recall could result in serious injuries or death.

Please also note that Hydro Mobile will require that the safety straps be replaced on a yearly basis from now on to ensure maximum safety and reliability from your Hydro Mobile equipment.

This recall can be performed as follows:

1- For all M2 Series motorized units with serial # 24M2479M2 to 24M2951M2

For all M2 Series units equipped with a Type 1 (cable suspended) walkway, new safety stickers need to be installed on the platform and the base to inform the user of the crush hazard and the consequence of using a walkway that is not fully extended. This recall is mandatory and must be performed on all the above-mentioned units.

2- For all M2 Series motorized units with serial #24M2952M2 to 24M3860M2 & all 14' motorized units

For all M2 Series units equipped with a Type 2 (current model) walkway, new safety stickers need to be installed on the platform and base to inform the user of the crush hazard and the consequence of using a walkway that is not fully extended. All currently used dark green straps also need to be replaced by the **heavy-duty red or bright green straps.**

The Recall Completion form must be filled out and returned to Hydro Mobile offices.

The procedure and material pertaining to the recall are attached herein. Upon request, Hydro Mobile will provide the material necessary to perform the recall on other M2 Series motorized units for every unit serial number submitted. Hydro Mobile will also credit 1/4 hour of labor for each retrofitted M2 Series motorized unit upon return of the **Recall Completion** form. Note that travel time expenses will not be subject to reimbursement. Hydro Mobile will issue a one-time credit once all units have been retrofitted and all Recall Completion forms have been returned to Hydro Mobile's Canadian offices.

We truly regret the inconvenience this situation may have caused. We would appreciate any comments or questions you may have regarding this recall. Our Customer Service representatives can be reached toll free at 1-888-484-9376.

Installation procedure

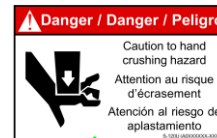
Parts required for this recall:

- For motorized units equipped with a Type 1 Walkway (**Serial # 24M2479M2 to 24M2951M2**):
 - 3x A0800000-0032 Caution Crushing Hazard sticker
 - 2x A0800000-0033 Warning Walkway Fully Extended sticker

- For motorized units equipped with a Type 2 Walkway (**Serial #24M2952M2 to 24M3860M2 and all 14' motorized units**):
 - 1x 11024402-K-04000-4 Type 2 Walkway UV Strap Recall Kit

Sticker installation procedure for motorized units equipped with Type 1 or Type 2 walkways

Tools required: none



(On access door & on interior side of base)



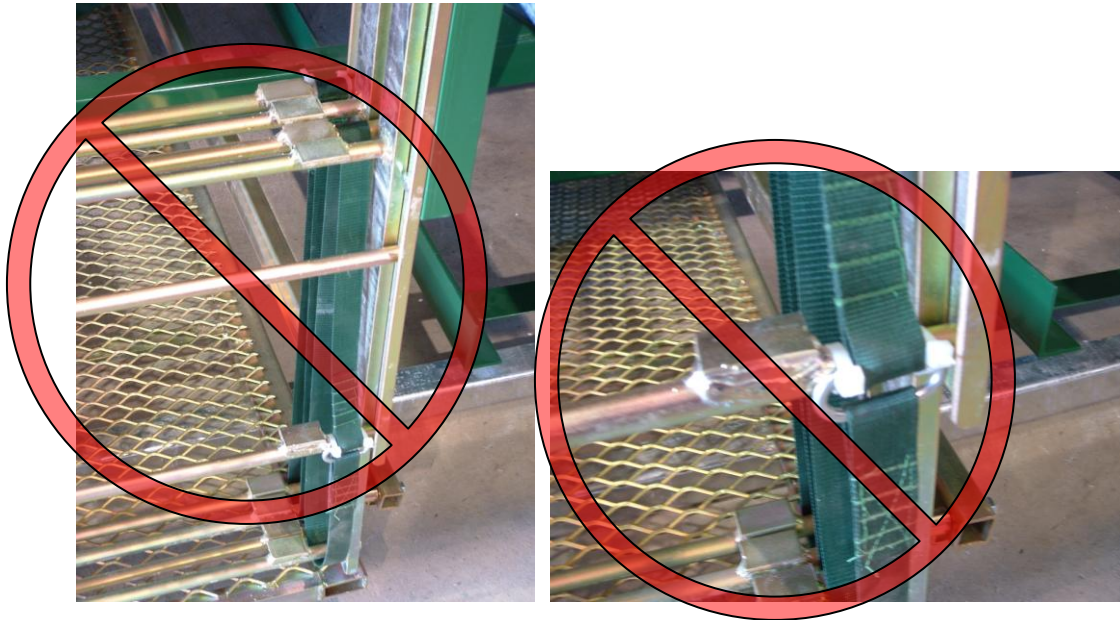
Type 2 walkway platform

For motorized units equipped with a Type 1 walkway platform, use the same sticker locations as for units equipped with a Type 2 platform (shown on previous page).

Safety strap replacement procedure for Type 2 walkways

Tool required: cutter pliers

Old dark green strap with plastic tie-rap and oval missing link



NEW Red or Bright Green UV resistant safety strap with stainless tie-rap and square missing link



Step-by-step replacement procedure

Step 1: Build the new strap assembly (less the tie wrap) beside the one to be replaced **BEFORE** removing the old one.

Step 2: Using the stainless tie wrap, fasten the square missing link to the round bar on the walkway.

Step 3: If possible, test the installation by extending the walkway with the new strap. Ensure that the walkway extends properly each time. If necessary, replace all defective parts (parts required for repairs are not covered by this recall).

Reminder: Under normal use conditions, only the walkway steel components should handle the totality of loads (dead and live). Strap(s) are designed to be security devices to act only in the event of a malfunction.

Step-by-step procedure to follow in the case of a failure to install the new strap beside the old one (use it as a template):

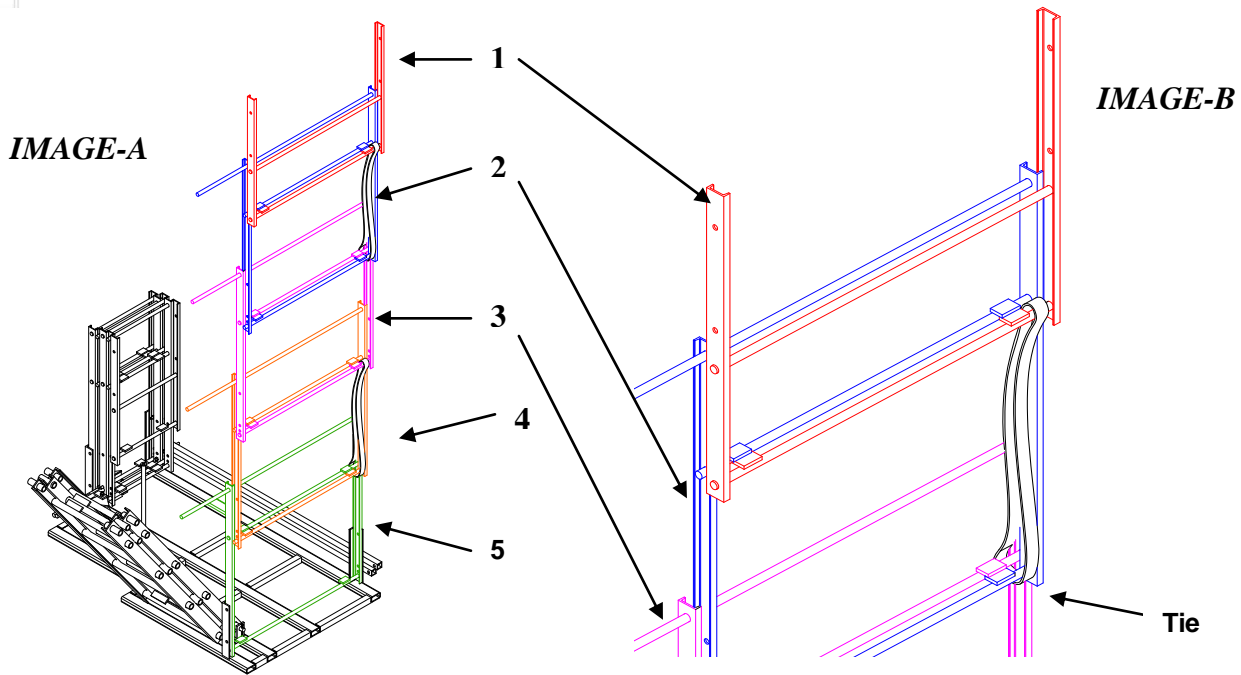
Step 1: Secure the strap around the lower bar of section 1 and bring it down over the lower bar of section 2 to the middle bar of section 3 (image B).

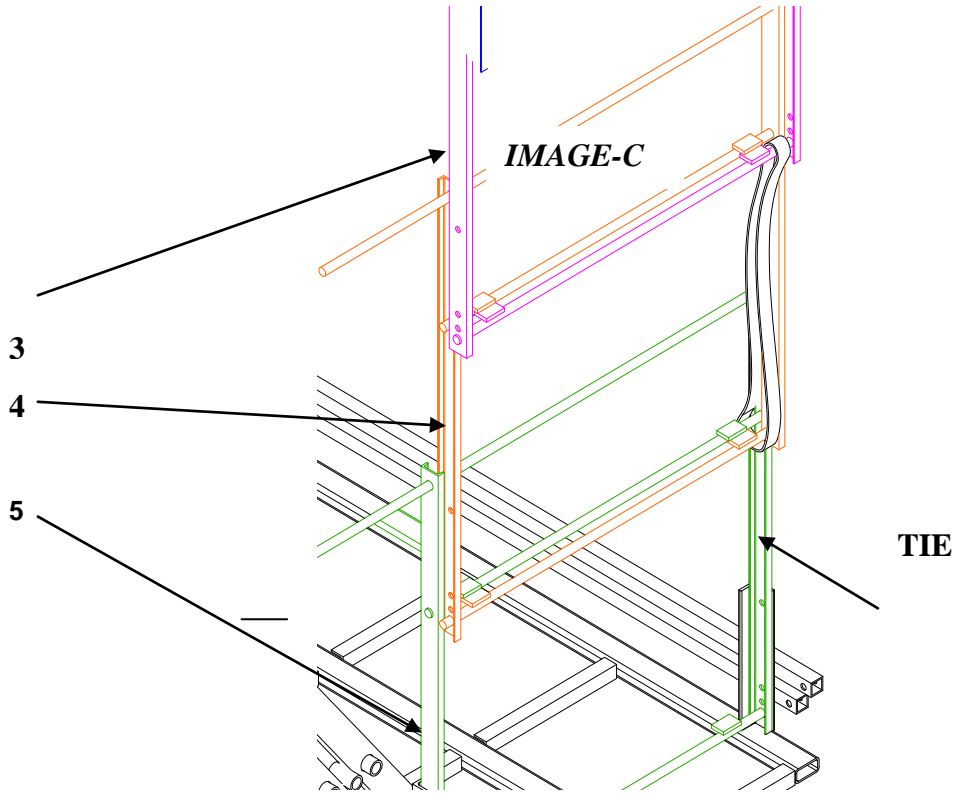
Step 2: Tie the square missing link to the lower bar of section 3 using the stainless tie wrap.

Step 3: Secure the second strap around the lower bar of section 3 and bring it down over the lower bar of section 4 to the middle bar of section 5 (image C).

Step 4: Tie the square missing link to the lower bar of section 4 using the stainless tie wrap.

Step 5: If possible, test the installation by extending the walkway with the new strap. Ensure that the walkway extends properly each time. If necessary, replace all defective parts (parts required for repairs are not covered by this recall).







RECALL COMPLETION FORM

www.hydro-mobile.com
1-888-484-9376

RECALL NUMBER: # 31
OBJECT OF RECALL: 14' & 24' M2 series walkway safety stickers (Type 1 & 2) and security straps replacement (type 2 only)

This confirms that the 14' & 24' M2 series walkway safety stickers (Type 1 & 2) and security straps replacement (type 2 only) recall has been performed on the following motorized unit:

Serial # must be of the following format: 14MXXXXM2 or 24MXXXXM2

M2 Series unit serial number _____
Date _____
Distributor _____
Unit owner _____
Recall performed by _____

	Yes	No
Crushing hazard stickers have been installed	<input type="checkbox"/>	<input type="checkbox"/>
Red safety straps have been installed	<input type="checkbox"/>	<input type="checkbox"/>

NOTE: This Recall Completion form must be filled out and returned to Hydro Mobile offices.



Distributors Network & End Users

Cc: Regional Managers & Marketing Department

From: R&D and Engineering Department

Date: December 19th, 2005

No : Recall #31 - Second notice

**Re: 14' & 24' M2 Series
Walkway Safety Sticker (Type 1 & 2) and Security Strap Replacement (Type 2 only)**

This recall was launched in October 2005. This is a second notice to remind you that this recall is very important and must be performed right away. Please note that you must return the recall completion form in order to confirm that this recall has been performed.

The Production Department was recently informed that injuries to a worker had occurred involving the M2 Series' suspended access platform (old Type 1 and recent Type 2). If a person steps on the walkway when it is not fully extended, it may extend very fast and may crush a hand or a foot. There may also have been some instances where the security strap broke due to deterioration resulting from a long-term exposure to UV-rays . The new heavy-duty straps (coloured red or bright green for quick recognition) are UV-resistant and will not be affected. Failure to perform this recall could result in serious injuries or death.

Please also note that Hydro Mobile will require that the safety straps be replaced on a yearly basis from now on to ensure maximum safety and reliability from your Hydro Mobile equipment.

This recall can be performed as follows:

1- For all M2 Series motorized units with serial # 24M2479M2 to 24M2951M2

For all M2 Series units equipped with a Type 1 (cable suspended) walkway, new safety stickers need to be installed on the platform and the base to inform the user of the crush hazard and the consequence of using a walkway that is not fully extended. This recall is mandatory and must be performed on all the above-mentioned units.

2- For all M2 Series motorized units with serial #24M2952M2 to 24M3860M2 & all 14' motorized units

For all M2 Series units equipped with a Type 2 (current model) walkway, new safety stickers need to be installed on the platform and base to inform the user of the crush hazard and the consequence of using a walkway that is not fully extended. All currently used dark green straps also need to be replaced by the **heavy-duty red or bright green straps**.

The Recall Completion form must be filled out and returned to Hydro Mobile offices.



Upon request, Hydro Mobile will provide the material necessary to perform the recall on other M2 Series motorized units for every unit serial number submitted.

We truly regret the inconvenience this situation may have caused. We would appreciate any comments or questions you may have regarding this recall. Our Customer Service representatives can be reached toll free at 1-888-484-9376.



RECALL NOTICE

www.hydro-mobile.com
(450) 589-8100 (Canada)
1-888-484-9376 (USA)

To: Distributors' Network & End users
From: R&D and Engineering Department
CC: Regional Managers and Marketing Department

RECALL NO.: 31

Date: May 5th 2006

Subject: Third & final notice for the 14' & 24' M2 series walkway safety stickers (Type 1 & 2) and security straps replacement (type 2 only) recall.

This is the third and final notice to remind you that this recall is very important and must have been performed by now.

Please note that you must return the recall completion form in order to confirm that this recall has been performed. All the parts to perform this recall have been sent to distributors in October 2005.

Problem description

The Production Department was recently informed that injuries to a worker had occurred involving the M2 Series' suspended access platform (old Type 1 and recent Type 2). If a person steps on the walkway when it is not fully extended, it may extend very fast and may crush a hand or a foot. There may also have been some instances where the security strap broke due to deterioration resulting from a long-term exposure to UV-rays . The new heavy-duty straps (colored red or bright green for quick recognition) are UV-resistant and will not be affected. Failure to perform this recall could result in serious injuries or death.

Please also note that Hydro Mobile will require that the safety straps be replaced on a yearly basis from now on to ensure maximum safety and reliability from your Hydro Mobile equipment.

This recall can be performed as follows:

1- For all M2 Series motorized units with serial # 24M2479M2 to 24M2951M2

For all M2 Series units equipped with a Type 1 (cable suspended) walkway, new safety stickers need to be installed on the platform and the base to inform the user of the crush hazard and the consequence of using a walkway that is not fully extended. This recall is mandatory and must be performed on all the above-mentioned units.

2- For all M2 Series motorized units with serial #24M2952M2 to 24M3860M2 & all 14' motorized units

For all M2 Series units equipped with a Type 2 (current model) walkway, new safety stickers need to be installed on the platform and base to inform the user of the crush hazard and the consequence of using a walkway that is not fully extended. All currently used dark green straps also need to be replaced by the **heavy-duty red or bright green straps**.

The Recall Completion form must be filled out and returned to Hydro Mobile offices.

Upon request, Hydro Mobile will provide the material necessary to perform the recall on other M2 Series motorized units for every unit serial number submitted.

We truly regret the inconvenience this situation may have caused. We would appreciate any comments or questions you may have regarding this recall. Our Customer Service representatives can be reached toll free at 1-888-484-9376.